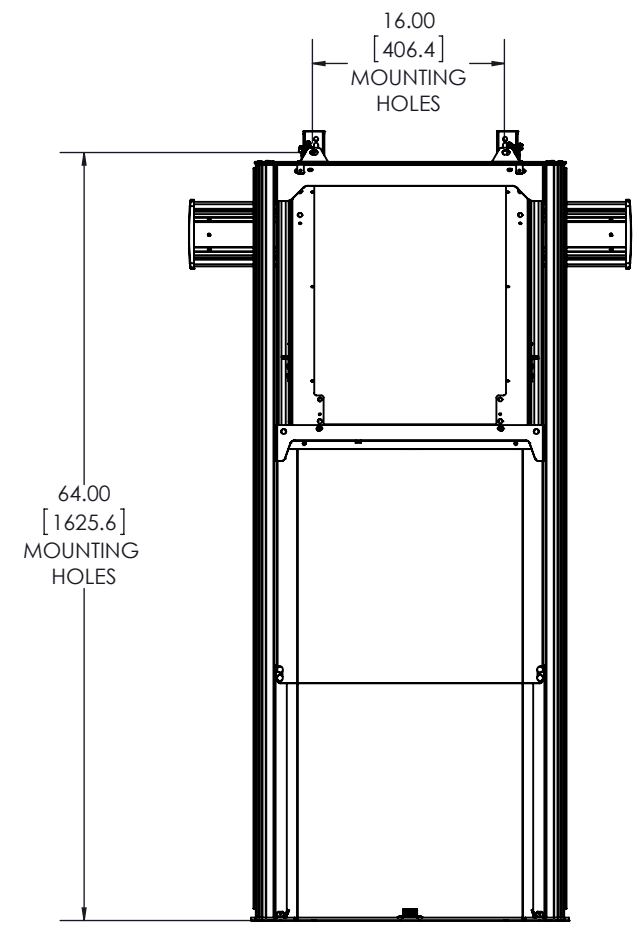
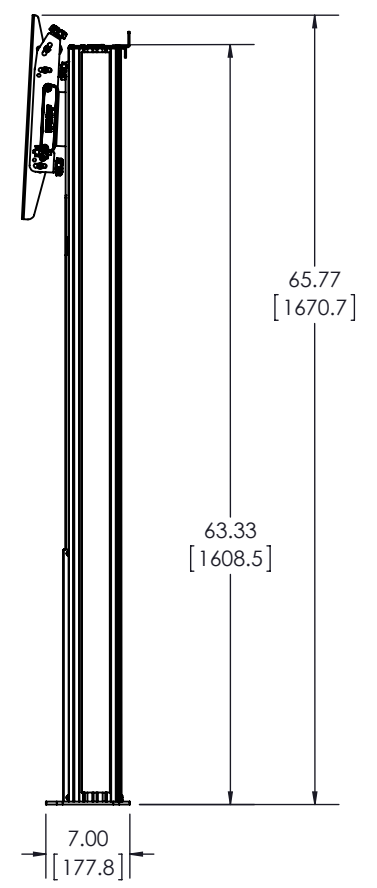


APPROXIMATE TRAVEL RANGES:
 (from floor):
 · 44.5 - 60.2"
 · 41.5 - 57.2" (shown)
 · 38.5 - 54.2"
 · 35.5 - 51.2"
 · 32.5 - 48.2"



THE INFORMATION AND DESIGNS CONTAINED IN THIS DRAWING ARE CONFIDENTIAL AND THE PROPRIETARY PROPERTY OF MILESTONE AV TECHNOLOGIES NEITHER THIS DESIGN NOR ANY INFORMATION CONTAINED IN THIS DRAWING MAY BE REPRODUCED OR DISCLOSED TO OTHERS WITHOUT THE EXPRESS WRITTEN CONSENT OF MILESTONE AV TECHNOLOGIES.

CAD GENERATED DRAWING, DO NOT MANUALLY UPDATE.			6436 CITY WEST PKWY EDEN PRAIRIE MN, 55344 PHONE: 866-977-3901 FAX: 877-894-6918
DRAWN BY	PJO	3/28/2016	
ENG APPROVAL			DESCRIPTION
MFG APPROVAL			FUSION DYNAMIC HEIGHT ADJUSTABLE FLOOR TO WALL
QA APPROVAL			MODEL NO.
SHEET 1 OF 1			MFD1U / LFD1U
SCALE	1:16	SIZE	DWG. NO.
		B	TECH-000773
			REV.
			01